



SPECIFICATIONS	FRONT MOUNT		MIDMOUNT	
	MODEL STS-28 LP		MODEL VR-31-50 LP	MODEL VR-31-60 LP
TRACTOR	10 gauge all steel frame & body Fold out panels for easy maintenance Wide foot panel for comfort Powder coated paint 1400 pounds 61" wide, 76" long		Heavy duty 3/16" wall tubular steel frame & body Powder coated paint	Heavy duty 3/16" wall tubular steel frame & body Powder coated paint
ENGINE	Kawasaki 28hp air cooled OHV EPA Certified Pressurized lubrication Automatic compression release Oil cooler		Kawasaki 31hp 852CC EPA Certified Full pressure lubrication Electronic ignition Heavy 200ft# electric clutch	Kawasaki 31hp 852CC EPA Certified Full pressure lubrication Electronic ignition Heavy 200ft# electric clutch
DRIVE SYSTEM	White hydraulic 13cc pumps White hydraulic 18cu.in. wheel motors Heat exchanger for cooling 25 micron oil filter Adjustable dual steering levers Fast responding steering cables Ground speed 0-12 mph		White hydraulic 13cc pumps White hydraulic 18cu.in. wheel motors Heat exchanger 25 micron oil filter Adjustable dual steering levers Ground speed 0-12 mph	White hydraulic 13cc pumps White hydraulic 18cu.in. wheel motors Heat exchanger 25 micron oil filter Adjustable dual steering levers Ground speed 0-12 mph
BRAKES	Drum brake with hand lever		Drum brake with hand lever	Drum brake with hand lever
FUEL	7.5 gallon vapor fuel cylinder 10.5 gallon vapor fuel cylinder (opt.)		Dual 7.5 gallon vapor fuel cylinders	Dual 7.5 gallon vapor fuel cylinders
TIRES	Drive tires 24x10.5x12 turf tread Drive tires 25x10.5x12 All terrain (opt.) Rear tire 16x8.5x8 Deck tires 11x4x8 smooth		Drive tires 24x10.5x12 Turf tread Drive tires 25x10.5x12 All terrain (opt.) Front castor tires 13x6.6	Drive tires 24x10.5x12 Turf tread Drive tires 25x10.5x12 All terrain (opt.) Front castor tires 13x6.6
SEAT	Adjustable spring suspension seat Adjustable arm rests		Adjustable spring suspension seat with arm rests	Adjustable spring suspension seat with arm rests
HEADLIGHTS	Standard		Standard	Standard
DECKS	STS-64	STS-74	VR-50	VR-60
	7 ga. fully welded deck shell Double plated 7 ga. reinforcement at spindles Powder coated paint	7 ga. fully welded deck shell Double plated 7 ga. reinforcement at spindles Powder coated paint	7 ga. fully welded deck shell Double plated 7 ga. reinforcement at spindles Powder coated paint	7 ga. fully welded deck shell Double plated 7 ga. reinforcement at spindles Powder coated paint
HEAVY DUTY SPINDLE	1.25" one piece spindle shaft Welded steel housing with 3/8 inch mounting plate Greaseable spindle housing	1.25" one piece spindle shaft Welded steel housing with 3/8 inch mounting plate Greaseable spindle housing	Cast iron with grease fittings heavy duty ball bearings and 1" shaft	Cast iron with grease fittings heavy duty ball bearings and 1" shaft
DECK LIFT	Automatic—Tilts deck 80° for easy maintenance Raises deck 10" for easy clearance of curbs	Automatic—Tilts deck 80° for easy maintenance Raises deck 10" for easy clearance of curbs	Electric lift height adjustment 1.5" to 5"	Electric lift height adjustment 1.5" to 5"
CUTTING	64" width 1" to 5" cutting height 6.4 acres per hour 6-way full floating deck	74" width 1" to 5" cutting height 7.5 acres per hour 6-way full floating deck	50" cut	60" cut



Available At:  
 Cleaning Stuff  
[www.CleaningStuff.NET](http://www.CleaningStuff.NET)  
 PH: 866-497-2056  
 FX: 866-497-2057



*Out Front Technology*

# **ZIPPER**

LOW POLLUTING  
**PROPANE**  
*Mowers*



FARM • HOME • COMMERCIAL



## Serviceability

### PROPANE MAINTENANCE

- More Consistent Fuel Delivery
- Longer Run Times
- Reduces Toxic Emissions by 80%
- Reduce Particulate Emissions by 60%
- Designated Clean Fuel by EPA
- 30% Average Savings over Gasoline and Diesel Fuels
- Federal & State Tax Incentives

### FRONT MOUNT/FLOATING DECK

The STS's front mounted full floating cutting deck follows ground contour and helps to minimize scalping. The front mount design also provides better visibility for trimming near ditches, under bushes and by fences. With the Zipper's side to side float, you have the ability to have a professional manicured cut on any terrain. The 20° uphill and 20° downhill float makes the Zipper STS the most flexible mower on the market.

### FRONT MOUNT

### STS-28 LP



### SOLID BUILT DECK

The STS's 7 gauge deck construction combined with the heavy duty 1 1/4" spindles makes the STS deck one of the heaviest made decks.

The automatic deck lift raises the deck up to 10" for easy unloading on trailers and curb clearance.



### EFFORTLESS DECK LIFT SYSTEM

Zipper STS's new effortless deck lift system allows the deck to flip up to 80° at the push of a button for easy cleaning and service.



### EASY MAINTENANCE

Maintenance is fast and easy with quick opening panels to allow full access to engine compartment.



## Built to Handle the Toughest Mowing Conditions

### UNI-BODY CONSTRUCTION

The uni-body construction makes the STS one of the most durable mowers in the industry.

## Economically Friendly

### CUT FUEL COST

- 30-40% Savings in Fuel Costs
- No Fuel Contamination
- No Fuel Theft
- Federal & State Tax Incentives

The cost of propane fuel averages about 30-40% less per gallon than gasoline and diesel. Longer run times and up to 2x longer engine life make EnviroGard the most profitable mowers available.



- Dual propane cylinders provide all day run time

### ZIPPER'S VERSATILE RIDERS

Zipper's VR Mid-Mount Riders perform in any application whether it's residential, commercial or farm. The VR Riders have all the features and benefits you want built into a compact package. Mow with a VR Rider and Decide For Yourself.

**MIDMOUNT**

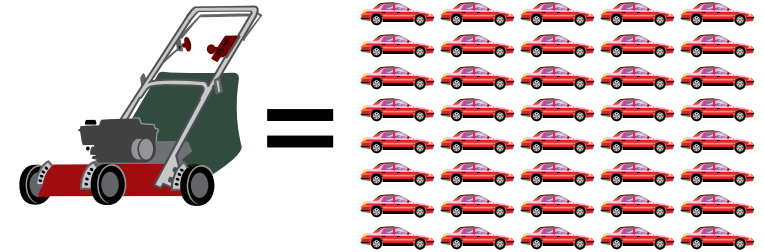
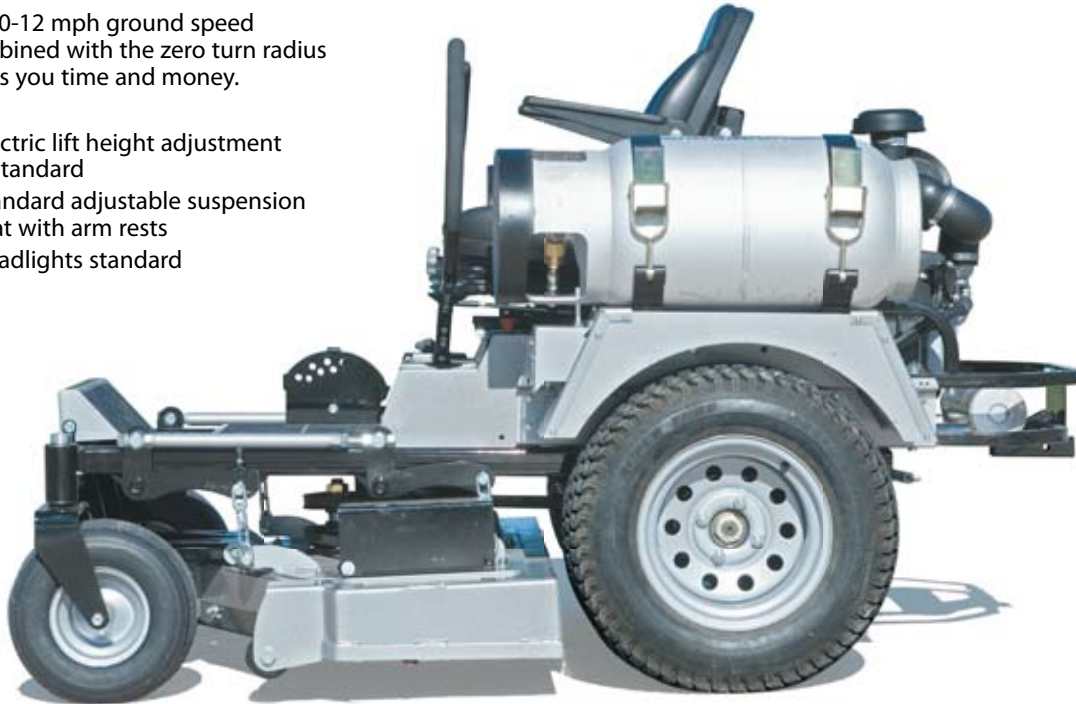
**VR-31-50 LP**

**VR-31-60 LP**

### FAST ZERO TURN RADIUS

The 0-12 mph ground speed combined with the zero turn radius saves you time and money.

- Electric lift height adjustment is standard
- Standard adjustable suspension seat with arm rests
- Headlights standard



## Environmentally Friendly

### CUT EMISSIONS

According to the Environmental Protection Agency (EPA), nearly 10 percent of pollution in the U.S. comes from lawn care equipment. Compared to gasoline mowers, a propane version reduces emissions up to 90 percent while boosting fuel economy by 10 percent. Comparisons are even more significant for larger engines.

One Gas Lawnmower Pollutes as much as 40 cars.

A recent California Air Resources Board (CARB) report shows lawnmowers statewide emit 8.28 tons of Volatile Organic Compounds (VOC's) per day. To top it off, lawn and garden equipment users inadvertently add to the problem by spilling 17 million gallons of fuel each year while refilling their outdoor power equipment. That's more petroleum than spilled by the Exxon Valdez in the Gulf of Alaska.